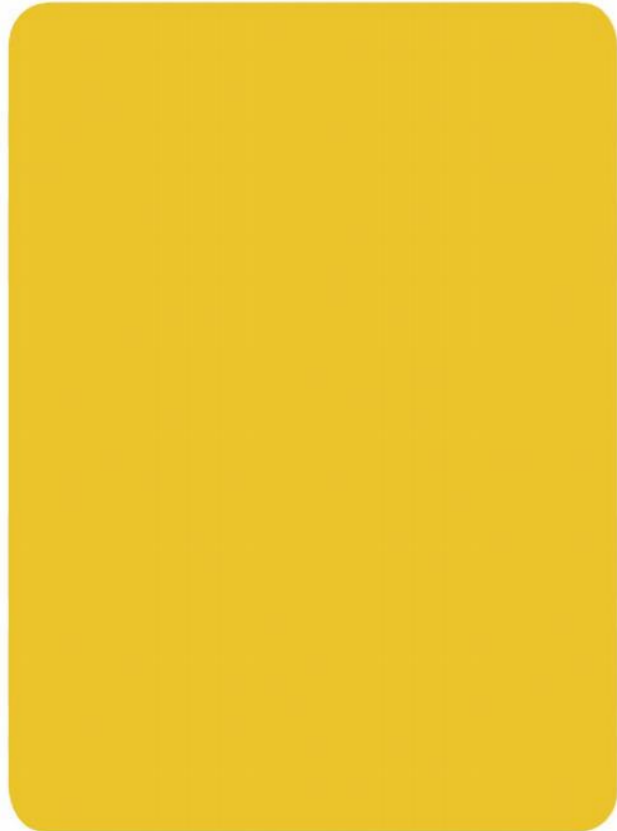




Please contact the nearest distributor



Shanghai Wellguard Industrial Technology Co., LTD  
Address: No.4699 Jinqian Road,  
Qingcun Town, Fengxian District, Shanghai  
Service tel: 400-600-8152  
www.wellguarding.com

Copyright by Wellguard  
Code NO.A1-2022 Version



WeChat



Website

## Shanghai Wellguard Industrial Technology Co., Ltd

品质保证

Focus on plastic products,  
focus on industrial safety

A BOOK OF SAFETY ,  
SOLUTIONS ,  
AND A CONSTANT DESIRE  
TO INNOVATE.



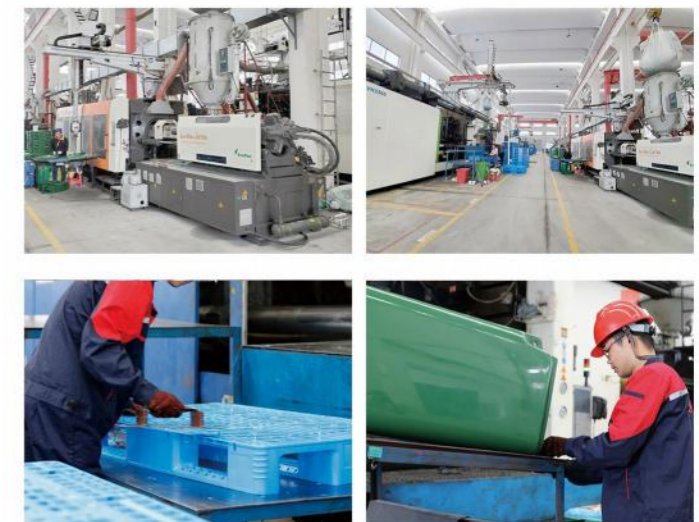




### WHO WE ARE

Shanghai Wellguard Industry Technology Co., Ltd. focuses on the research and development of plastic production technology, devoted to the field of industrial safety. It has successively introduced dozens of world-renowned injection molding production lines to provide domestic and foreign customers in automobile manufacturing, food processing, machinery manufacturing, petrochemical, logistics and warehousing, textile printing and dyeing, steel metallurgy, transportation and other industries with professional industrial plastic pallets, garbage can, leak-proof pallets, turnover crate and other injection molding, rotational molding, blister molding, blow molding products.

### PRODUCE DISPLAY



### CERTIFICATE OF GUARANTEE



### INVENTORY DISPLAY





# Plastic Pallets

## Outstanding Features

1. Sanitation: No decay, easy flushing, no moth;
2. Safety: Light, no nails, no bumps;
3. Environmental protection: Long service life, recyclable;
4. Convenient: Can be used for warehouse stacking and shelves.



### Outstanding features:

1. Large bearing capacity and can be put on the shelf.
2. Suitable for stacking (manual hydraulic truck can be forked in all sides).
3. Suitable for stacking storage, which can better save space.

1. Compressive and Durable: The unique anti-collision circular angle design reduces the friction of the forklift, eases the impact of extrusion and increases the service life of the pallet;

2. Safe and Reliable: Excellent Anti-skid performance with ABS anti-skid pad, which effectively prevents the goods from falling off, ensures the safety of pallets, workers and whole freight process;

3. Hard to break: The bottom of pallets is added with anti-slip ribs and mesh design, which increases toughness and endurance, makes it harder to break, and improves the service life.



The round design of four corners made anti-collision effectively.



ABS anti-skid block design prevent the goods from falling off.



Round and chamfered edge of entry design reduce the probability of forklift impact.



Pallet could be added with 7 or 8 steel tubes to increase the bearing capacity and make it safer to put on the shelf.

## 3-Runners Grid plastic pallet

### RECOMMEND



WGPP1111NC



WGPP1210CNC



### 3-Runners Grid plastic pallet

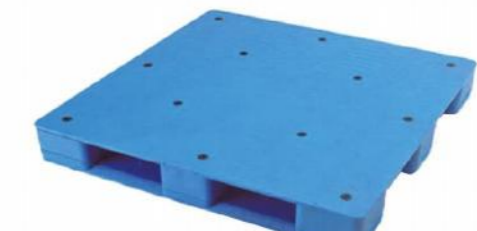
Names	Numbers of Steel pipe	Dynamic load(kg)	Static load(kg)	Dimension (L*W*H/cm)	Forklift	Model
1008-3 Runners Grid pallet	8	1000	4000	100x80x15	4 WAY	WGPP1008NC
1111-3 Runners Grid pallet	8	1000	4000	110x110x15	4 WAY	WGPP1111NC
1208-3 Runners Grid pallet	8	1000	4000	120x80x15	4 WAY	WGPP1208NC
1210A-3 Runners Grid pallet	8	1000	4000	120x100x15	4 WAY	WGPP1210ANC
1210C-3 Runners Grid pallet	8	1000	4000	120x100x16	4 WAY	WGPP1210CNC
1212-3 Runners Grid pallet	10	1000	4000	120x120x16	4 WAY	WGPP1212NC
1311-3 Runners Grid pallet	8	1000	4000	130x110x15	4 WAY	WGPP1311NC
1412-3 Runners Grid pallet	8	1000	4000	140x120x15	4 WAY	WGSP1412NC

## 3-Runners Flat plastic pallet

### RECOMMEND



WGSP1210APC



WGSP1212APC

### 3-Runners Flat plastic pallet

Names	Numbers of Steel pipe	Dynamic load(kg)	Static load(kg)	Dimension (L*W*H/cm)	Forklift	Model
1012-3 Runners Flat pallet	8	1500	6000	100x120x15	4 WAY	WGSP1012PC
1109-3 Runners Flat pallet	8	1000	4000	110x90x17	4 WAY	WGSP1109PC
1111-3 Runners Flat pallet	8	1500	6000	110x110x15	4 WAY	WGSP1111PC
1208-3 Runners Flat pallet	8	1500	6000	120x80x15	4 WAY	WGSP1208PC
1210A-3 Runners Flat pallet	8	1500	6000	120x100x15	4 WAY	WGSP1210APC
1210B-3 Runners Flat pallet	8	1500	6000	120x100x17	4 WAY	WGSP1210BPC
1212A-3 Runners Flat pallet	8	1500	6000	120x120x17	4 WAY	WGSP1212APC
1212B-3 Runners Flat pallet	8	1500	6000	120x120x15	4 WAY	WGSP1212BPC
1311-3 Runners Flat pallet	8	1500	6000	130x110x17	4 WAY	WGSP1311PC
1312-3 Runners Flat pallet	8	1500	6000	130x120x16	4 WAY	WGSP1312PC
1616-3 Runners Flat pallet	8	1000	4000	160x160x15	4 WAY	WGSP1616PC



## 9-Foot Grid plastic pallet

### RECOMMEND



WGLP1008N9



WGLP1111N9



WGLP1208N9



WGLP1210N9



### 9-Foot Grid plastic pallet

Names	Numbers of Steel pipe	Dynamic load(kg)	Static load(kg)	Dimension (L*W*H/cm)	Forklift	Model
1008-9 Feet Grid plastic pallet	0	500	2000	100x80x14	4 WAY	WGLP1008N9
1111-9 Feet Grid plastic pallet	0	500	2000	110x110x14	4 WAY	WGLP1111N9
1208-9 Feet Grid plastic pallet	0	500	2000	120x80x14	4 WAY	WGLP1208N9
1210-9 Feet Grid plastic pallet	0	500	2000	120x100x14	4 WAY	WGLP1210N9
1311-9 Feet Grid plastic pallet	0	500	2000	130x110x14	4 WAY	WGLP1311N9
1210-18 Feet Grid plastic pallet	0	700	3000	120x100x14	4 WAY	WGLP1210N18

## 6-Runners Grid plastic pallet

### RECOMMEND



WGSP1111NT



WGSP1208NT



WGSP1210NT



WGPP1212NT

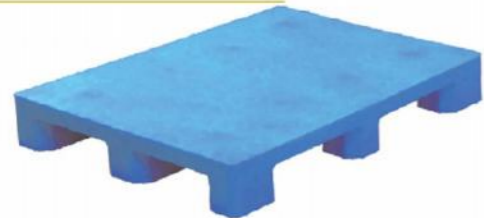


### 6-Runners Grid plastic pallet

Names	Numbers of Steel pipe	Dynamic load(kg)	Static load(kg)	Dimension (L*W*H/cm)	Forklift	Model
1111A-6 Runners Grid pallet	0	700	3000	110x110x15	4 WAY	WGPP1111ANT
1111-6 Runners racking pallet	7	1000	4000	110x110x15	4 WAY	WGSP1111NT
1208-6 Runners racking pallet	7	1000	3000	120x80x15	4 WAY	WGSP1208NT
1208-6 Runners Grid pallet	0	1000	3000	120x80x13.5	4 WAY	WGPP1208NT
1210A-6 Runners Grid pallet	0	700	3000	120x100x15	4 WAY	WGPP1210ANT
1210-6 Runners racking pallet	7	1000	4000	120x100x15	4 WAY	WGSP1210NT
1212-6 Runners Grid pallet	7	1000	4000	120x120x15	4 WAY	WGPP1212NT
1311-6 Runners Grid pallet	7	1000	4000	130x110x15	4 WAY	WGPP1311NT
1411-6 Runners Grid pallet	7	1000	4000	141x110x15	4 WAY	WGPP1411NT

## 9-Foot Flat plastic pallet

### RECOMMEND



WGPP1208P9



WGPP1212P9

### 9-Foot Flat plastic pallet

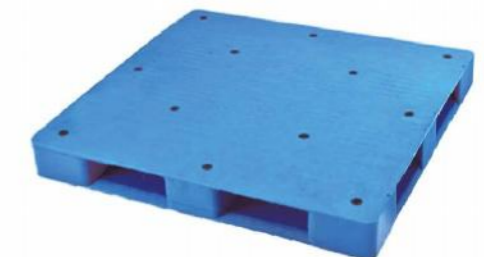
Names	Numbers of Steel pipe	Dynamic load(kg)	Static load(kg)	Dimension (L*W*H/cm)	Forklift	Model
1111-9 Feet Flat plastic pallet	4	1000	4000	110x110x14	4 WAY	WGPP1111P9
1208-9 Feet Flat plastic pallet	4	1000	4000	120x80x15	4 WAY	WGPP1208P9
1210-9 Feet Flat plastic pallet	4	1000	4000	120x100x14	4 WAY	WGPP1210P9
1212-9 Feet Flat plastic pallet	4	1000	4000	120x120x14	4 WAY	WGPP1212P9
1311-9 Feet Flat plastic pallet	4	1000	4000	130x110x14	4 WAY	WGPP1311P9

## 6-Runners Flat plastic pallet

### RECOMMEND



WGSP1210PT



WGSP1212PT

### 6-Runners Flat plastic pallet

Names	Numbers of Steel pipe	Dynamic load(kg)	Static load(kg)	Dimension (L*W*H/cm)	Forklift	Model
1210-6 Runners Flat pallet	8	1000	4000	120x100x16	4 WAY	WGSP1210PT
1212-6 Runners Flat pallet	8	1000	4000	120x120x16	4 WAY	WGSP1212PT
1311-6 Runners Flat pallet	8	1000	4000	130x110x16	4 WAY	WGSP1311PT



## Double sided Flat plastic pallet

### RECOMMEND



WGSP1210PD



WGSP1212PD

#### Double sided Flat plastic pallet

Names	Numbers of Steel pipe	Dynamic load(kg)	Static load(kg)	Dimension (L*W*H/cm)	Forklift	Model
1210 Double sided Flat pallet	8	1500	6000	120x100x15	4 WAY	WGSP1210PD
1212 Double sided Flat pallet	8	1500	6000	120x120x15	4 WAY	WGSP1212PD
1310 Double sided Flat pallet	8	1500	6000	130x100x15	4 WAY	WGSP1310PD
1311 Double sided Flat pallet	8	1500	6000	130x110x15	4 WAY	WGSP1311PD
1313 Double sided Flat pallet	8	1500	6000	130x130x15	4 WAY	WGSP1313PD
1412 Double sided Flat pallet	8	1500	6000	140x120x15	4 WAY	WGSP1412PD
1616 Double sided Flat pallet	8	1000	4000	160x160x16	4 WAY	WGSP1616PD

## Double sided Grid plastic pallet

### RECOMMEND



WGSP1111ND



WGSP1210ND

#### Double sided Grid plastic pallet

Names	Numbers of Steel pipe	Dynamic load(kg)	Static load(kg)	Dimension (L*W*H/cm)	Forklift	Model
1010 Double sided Grid pallet	8	1000	4000	100x100x15	4 WAY	WGSP1010ND
1111 Double sided Grid pallet	8	1000	4000	110x110x15	4 WAY	WGSP1111ND
1210 Double sided Grid pallet	8	1000	4000	120x100x15	4 WAY	WGSP1210ND
1212A Double sided Grid pallet	8	1500	6000	120x120x15	4 WAY	WGSP1212AND
1311A Double sided Grid pallet	8	1000	4000	130x110x15	4 WAY	WGSP1311AND
1412 Double sided Grid pallet	8	1000	4000	140x120x15	4 WAY	WGSP1412ND
1414 Double sided Grid pallet	8	1500	6000	140x140x15	4 WAY	WGSP1414ND
1513 Double sided Grid pallet	8	1500	5000	150x130x15	4 WAY	WGSP1513ND
1515 Double sided Grid pallet	8	1500	6000	150x150x15	4 WAY	WGSP1515ND



#### Advantages of Wellguard plastic garbage can:

1. Three reinforcing ribs are designed at the handle of cover opening to make the handle more firm and prevent impact.
2. The edge of the bin is designed with mesh stiffener, which makes the garbage can be easily towed, and the shape is invariable and impact resistant.
3. Thickened wear-resistant nails and mesh design at the bottom of the barrel can effectively protect the bottom of the barrel and enhance the wear resistance.

Everyone is involved in environmental action for garbage classification; letting green into our daily lives and making green life reachable.



Harmful waste: waste containing toxic chemicals.

Kitchen waste: food waste and peel produced by the kitchen;

Other garbage: all garbage except recyclable, harmful and kitchen waste;

Recyclable: garbage with high recycling value, which can enter the waste recycling channel;

#### Garbage collection identification





## Sanitation Garbage Can

Hot Sale



Sanitation Garbage Can

Name	Length(mm)	Width(mm)	Height(mm)	Color	Capacity(L)	Model
50L Garbage Can	470	420	630	Green, blue, red, grey	50	WGGC50G
100L Garbage Can	530	470	785	Green, blue, red, grey	100	WGGC100G
120L Garbage Can	560	490	950	Green, blue, red, grey	120	WGGC120R2
240L Garbage Can	710	570	1030	Green, blue, red, grey	240	WGGC240B
240L Pedal Garbage Can	720	575	1080	Green, blue, red, grey	240	WGGC240PG
240L trailer Garbage Can	710	570	1090	Green, blue, red, grey	240	WGGC240HLG2
360L Garbage Can	850	810	1130	Green, blue, red, grey	360	WGGC360G

## Garbage Cart

Hot Sale



WGHT400G

WGHT660PG2

WGHT1200G

Garbage Cart

Name	Length(mm)	Width(mm)	Height(mm)	Color	Capacity(L)	Model
400L Garbage Cart	1270	910	960	Green, blue	400	WGHT400G
660L Garbage Cart B	1200	710	1210	Green, blue	660	WGHT660G2
660L Pedal Garbage Cart B	1200	710	1210	Green, blue	660	WGHT660PG2
1100L Garbage Cart	1200	1035	1295	Green, blue	1100	WGHT1100G
1100L Pedal Garbage Cart	1200	1035	1295	Green, blue	1100	WGHT1100PG
1200L Garbage Cart	1180	1050	1450	Green, blue	1200	WGHT1200G

Customization: sample customize welcomed, MOQ 200pcs for silk screen design, MOQ 500pcs for color customization.

## Medical Waste Bins



Hot Sale



WGGB30Y

WGGB70Y

WGGB90Y

Medical Waste Bins

Name	Length(mm)	Width(mm)	Height(mm)	Color	Capacity(L)	Model
15L Medical Waste Bins	275	255	350	Green, blue, red, grey	15	WGMB15Y
20L Medical Waste Bins	310	255	400	Green, blue, red, grey	20	WGMB20Y
30L Medical Waste Bins	430	400	435	Green, blue, red, grey	30	WGMB30Y
40L Medical Waste Bins	385	365	480	Green, blue, red, grey	40	WGMB40Y
50L Medical Waste Bins	400	370	560	Green, blue, red, grey	50	WGMB50Y
60L Medical Waste Bins	405	381	605	Green, blue, red, grey	60	WGMB60Y
70L Medical Waste Bins	442	370	630	Green, blue, red, grey	70	WGMB70Y
90L Medical Waste Bins	490	470	840	Green, blue, red, grey	90	WGMB90Y
100L Medical Waste Bins	470	545	760	Green, blue, red, grey	100	WGMB100Y

Customization: sample customize welcomed, MOQ 200pcs for silk screen design, MOQ 500pcs for color customization.



## Round Medical Sharp Container

Hot Sale



Round Medical Sharp Container						
Name	Length(mm)	Width(mm)	Height(mm)	Color	Capacity(L)	Model
1L Medical Sharp Container	115	115	125	RD\BU\YE\GN	1	WGSC001
2L Medical Sharp Container	135	135	145	RD\BU\YE\GN	2	WGSC002
3L Medical Sharp Container	165	165	185	RD\BU\YE\GN	3	WGSC003
4L Medical Sharp Container	170	170	195	RD\BU\YE\GN	4	WGSC004
5L Medical Sharp Container	190	190	200	RD\BU\YE\GN	5	WGSC005
6L Medical Sharp Container	205	205	210	RD\BU\YE\GN	6	WGSC006
8L Medical Sharp Container	215	215	235	RD\BU\YE\GN	8	WGSC008
10L Medical Sharp Container	230	230	245	RD\BU\YE\GN	10	WGSC010
15L Medical Sharp Container	270	270	270	RD\BU\YE\GN	15	WGSC015

Customization: sample customize welcomed, MOQ 200pcs for silk screen design, MOQ 500pcs for color customization.

## Square Medical Sharp Container

Hot Sale



Square Medical Sharp Container						
Name	Length(mm)	Width(mm)	Height(mm)	Color	Capacity(L)	Model
3L Medical Sharp Container	200	160	130	RD\BU\YE\GN	3	WGSS003
5L Medical Sharp Container	250	200	150	RD\BU\YE\GN	5	WGSS005
8L Medical Sharp Container	250	200	260	RD\BU\YE\GN	8	WGSS008
15L Medical Sharp Container	320	215	305	RD\BU\YE\GN	15	WGSS015
25L Medical Sharp Container	320	215	380	RD\BU\YE\GN	25	WGSS025

Customization: sample customize welcomed, MOQ 200pcs for silk screen design, MOQ 500pcs for color customization.

## Medical Waste Bag

NEW  
**MEDICAL WASTE BAG**

GOOD PUNCTURE RESISTANCE AND TOUGHNESS



MEDICAL WASTE BAG PARAMETERS							
Product Name	Length(mm)	Width	Thickness(um)	Weight(g)	PCS/Poly Bag	Suitable Wasted Bin	Model
5L Portable Medical Waste Bag	380	320	3	3	100	5	SJ5
10L Portable Medical Waste Bag	480	420	3	4.5	100	10	SJ10
15L Portable Medical Waste Bag	500	450	3	5	100	15	SJ15
20L Portable Medical Waste Bag	600	500	3	6.5	100	20	SJ20
25L Portable Medical Waste Bag	600	550	3	7	100	25	SJ25
30L Portable Medical Waste Bag	700	600	3	9.5	100	30	SJ30
50L Portable Medical Waste Bag	800	700	3	13.5	50	50	SJ50
70L Portable Medical Waste Bag	900	800	3	17.5	50	70	SJ70
15L Flat Medical Waste Bag	500	450	3	5.5	50	15	PJ15
20L Flat Medical Waste Bag	600	500	3	6.5	50	20	PJ20
25L Flat Medical Waste Bag	600	550	3	8	50	25	PJ25
30L Flat Medical Waste Bag	700	600	3	10.5	50	30	PJ30
50L Flat Medical Waste Bag	800	700	3	15	50	50	PJ50
70L Flat Medical Waste Bag	900	800	3	19.5	50	70	PJ70
100L Flat Medical Waste Bag	1000	900	3	27.5	50	100	PJ100
100L Waste Bag (Turnover box use)	1050	750	3	19	50	100	PJ100Z
30L Portable Medical Waste Bag	700	600	4	12.5	100	30	ST30
50L Portable Medical Waste Bag	800	700	4	17	50	50	ST50
70L Portable Medical Waste Bag	900	800	4	23	50	70	ST70
30L Flat Medical Waste Bag	700	600	5	14.5	50	30	PT30
50L Flat Medical Waste Bag	800	700	5	20	50	50	PT50
70L Flat Medical Waste Bag	900	800	5	24.5	50	70	PT70
100L Flat Medical Waste Bag	1000	900	5	38.5	50	100	PT100
120L Flat Medical Waste Bag	1100	1000	5	43	50	120	PT120
240L Flat Medical Waste Bag	1300	1200	5	58	50	240	PT240



## Indoor Swing Dustbin Series

### Hot Sale



WG20X

WG40X

WG60X

WG100Y

#### Dustbins Parameters

Name	Length(mm)	Width(mm)	Height(mm)	Color	Capacity(L)	Model
10L Indoor Swing Dustbin	185	265	385	RD\BU\YE\GN\BK	10	WG10X
20L Indoor Swing Dustbin	230	335	460	RD\BU\YE\GN\BK	20	WG20X
40L Indoor Swing Dustbin	270	400	602	RD\BU\YE\GN\BK	40	WG40X
60L Indoor Swing Dustbin	325	450	745	RD\BU\YE\GN\BK	60	WG60X
100L Indoor Swing Dustbin	490	490	870	RD\BU\YE\GN\BK	100	WG100Y

## Indoor Pedal Dustbin Series

### Hot Sale



WG30K

WG50K

WG80K

WG100K

#### Dustbins Parameters

Name	Length(mm)	Width(mm)	Height(mm)	Color	Capacity(L)	Model
20L Indoor Pedal Dustbin	285	335	360	RD\BU\YE\GN\BK	20	WG20K
30L Indoor Pedal Dustbin	402	425	435	RD\BU\YE\GN\BK	30	WG30K
45L Indoor Pedal Dustbin	395	425	600	RD\BU\YE\GN\BK	45	WG45K
80L Indoor Pedal Dustbin	420	490	710	RD\BU\YE\GN\BK	68	WG80K
100L Indoor Pedal Dustbin	472	490	836	RD\BU\YE\GN\BK	87	WG100K

## Classified Pedal Trash Bin

### Hot Sale



WG20C

WG60C

WG40F

WG60F

#### Dustbins Parameters

Name	Length(mm)	Width(mm)	Height(mm)	Color	Capacity(L)	Model
16L Dustbin for two waste collection	275	320	385	RD\BU\YE\GN\BK	16	WG16C
20L Dustbin for two waste collection	355	290	425	RD\BU\YE\GN\BK	20	WG20C
40L Dustbin for two waste collection	345	425	510	RD\BU\YE\GN\BK	40	WG40C
60L Dustbin for two waste collection	430	530	600	RD\BU\YE\GN\BK	60	WG60C
40L Dustbin for three waste collection	360	450	520	RD\BU\YE\GN\BK	40	WG40F
60L Dustbin for three waste collection	400	490	560	RD\BU\YE\GN\BK	60	WG60F

Customization: sample customize welcomed, MOQ 200pcs for silk screen design, MOQ 500pcs for color customization.

## Sealed Dustbin Series

### Hot Sale



WG8T

WG10T

WG15T

#### Dustbins Parameters

Name	Length(mm)	Width(mm)	Height(mm)	Color	Capacity(L)	Model
8L Sealed Dustbin	262	246	258	Green	8	WG8T
10L Sealed Dustbin	262	246	330	Green	10	WG10T
15L Sealed Dustbin	262	246	365	Green	15	WG15T

Customization: sample customize welcomed, MOQ 200pcs for silk screen design, MOQ 500pcs for color customization.



## Kitchen Trash Can with Filter Basket

Hot Sale



WG20Q1

WG15Q2

### Kitchen Trash Can Parameters

Name	Length(mm)	Width(mm)	Height(mm)	Color	Capacity(L)	Model
10L Round type kitchen trash can	182	278	295	Green, Grey	10	WG10Q1
20L Round type kitchen trash can	220	335	370	Green, Grey	20	WG20Q1
10L Square type kitchen trash can	270	270	275	Green, Grey	10	WG10Q2
15L Square type kitchen trash can	308	308	315	Green, Grey	15	WG15Q2

## Household Trash Bin Series

Hot Sale



WG15DB

WG40DB

WG60DB

### Trash Bin Parameters

Name	Length(mm)	Width(mm)	Height(mm)	Color	Capacity(L)	Model
15L Household Trash Bin	260	260	350	Grey	15	WG15DB
20L Household Trash Bin	260	315	400	Grey	20	WG20DB
30L Household Trash Bin	330	360	510	Grey	30	WG30DB
40L Household Trash Bin	370	390	490	Grey	40	WG40DB
50L Household Trash Bin	385	375	675	Grey	50	WG50DB
60L Household Trash Bin	400	450	570	Grey	60	WG60DB

Customization: sample customize welcomed, MOQ 200pcs for silk screen design, MOQ 500pcs for color customization.

# Spill Pallets

Chemical leakage, Easy control

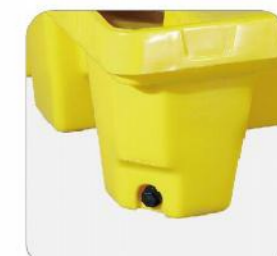


Hazardous chemicals leakage is a major hidden danger to the environmental safety of the workplace, and it also brings huge harm to the groundwater and the overall environment, the cost of treatment is high. Wellguard Spill pallets and decks series products help you keep the environment of storage areas such as oil drums and chemical drums clean, effectively prevent and control pollution caused by oil and chemical leakage, solve your problems in time, and easily cope with accidental leakage.

- 1) Strong structure can carry full load oil drums, chemical drums, various storage containers and mechanical equipment.
- 2) Polyethylene material, anti-ultraviolet, anti-rust, anti-corrosion, can resist most chemicals;
- 3) The anti-slip grille on the orange peel surface will not fracture under full load and can be removed, which is beneficial to quickly handle the leaking liquid;
- 4) Pallet can be transported by forklift, and the platform can be leaned to gether to form a leaking workstation;
- 5) To keep the ground dry, avoid slipping and falling accidents;
- 6) All spill pallets and decks can be nested and stacked, saving space and transportation costs;



2-drum spill pallets with stackable structure save space and transportation cost



Hexagonal drain plug facilitates drainage



Spill pallets have forklift slots for convenient forklift operation to improve efficiency



Hydraulic carrying vehicles can also be used to move pallets, which is more convenient



Spill pallets with stackable structure save space and transportation costs



Poly spill pallet ramps make it easier to move large articles



## Poly Spill Decks

### WLPP001/WLPP002/WLPP004

The poly spill deck is lower than the pallet, thus saving the space, improving the safety, efficiency and facilitating handling of oil drums and chemical drums. Generally, the poly spill deck is used for storing oil drums, chemical drums, etc., instead of transferring such containers. When installed in a workshop, the spill deck can be used for various operations (oil extracting, filling and separating, etc.), as a platform. It is also equipped with the same grate and drain holes. Various decks can be assembled to form a stable and reliable workstation.



Acquired CE Certification, comply with the regulations of EPA 40 CFR 264.175 of EPA and SPCC as well as U.S. NPDES.



WLPP001



WLPP002



WLPP004

#### Poly Spill Deck

Name	200L Drum quality	Capacity(Gal/L)	Loading Capacity(Kgs)	Ext.Dimensions(H*L*W/cm)	Forklift	Model
1 drum spill deck	1	11/42	600	68x68x15	NA	WLPP001
2 drum spill deck	2	21/80	1500	130x66x15	NA	WLPP002
4 drum spill deck	4	40/150	2500	130x128x15	NA	WLPP004

## Poly Spill Pallets

### WSP002/WSP004

The spill pallet is essentially a plastic pallet which can control the leakage and has a leak-holding groove. The forklift tank is set to store, transport, and turnover oil drums and chemical drums; all leakage will flow into the tank. The spill pallet has its own matching slope, which makes the handling of chemical storage barrels easy, fast and simple. The high-strength, movable and detachable grille is convenient to disassemble, clean and replace, and the drain hole can discharge the liquid in the drain tank, so that most of the liquid can be recycled. The upgraded version of the four-barrel pallet is provided with forklift grooves of 550mm and 650mm width on the longitudinal side, which provides convenience for customer operations. There are stacking limits around the pallets to facilitate accurately stack multiple pallets and package them for transportation, which is convenient for forklift transfer, maximizes space savings and transportation costs saving.



WSP002



WSP004

#### Poly Spill Pallets

Name	200L Drum quality	Capacity(Gal/L)	Loading Capacity(Kgs)	Ext.Dimensions(H*L*W/cm)	Forklift	Model
2 drum spill Pallet	2	32/120	1500	130x66x30	2 way	WSP002
4 drum spill Pallet	4	70/265	3000	130x128x30	4 way	WSP004

## Poly Spill Decks (H:200mm)

### WLPP002-2/WLPP004-2

By adopting the reinforced structure design, the spill decks is featured with high load bearing capacity, high safety and high stability. The decks accurately restricts the gratings on the periphery, thereby facilitating easy installation, removal and cleaning of the gratings. Meanwhile, the gratings for PE decks are highly robust and corrosion resistant and have undergone surface roughening to effectively enhance surface friction, thus ensuring stable storage of drums. Moreover, holes in the gratings can effectively avoid possible accidental splash of dangerous chemicals during filling, subpackaging or storage.



WLPP002-2



WLPP004-2

#### Poly Spill Decks (H:200mm)

Name	200L Drum quality	Capacity(Gal/L)	Loading Capacity(Kgs)	Ext.Dimensions(H*L*W/cm)	Forklift	Model
2 drum spill deck	2	23/90	1500	128x64x20	2 way	WLPP002-2
4 drum spill deck	4	46/180	2500	128x128x20	4 way	WLPP004-2



# Cool Box

Come on, keep cool!



1. Antiskid feet for smooth travel.
2. Lid lock helps prevent accidental or unexpected lid closing.
3. Heavy-duty roto-molded construction for durable outdoor use.
4. Thick, insulated design offers ice retention for up to 5 days; dry ice compatible.
5. Materials are nontoxic, tasteless and approved for direct contact with food.
6. Silicone Seal provides an airtight seal to keep contents cold and is removable for easy cleanup.
7. Drain Valve design with recessed drain plug, which make the melted ice flow out easily.
8. Built-in UV resistance helps prevent plastic breakdown and fading caused by sun exposure.



## Cool Box

### WGTB3526/WGTB4834/WGTB5536

1. **Crisp, Cool Drinks For Days:** Keep your cans cooler, longer. Premium high-density PU foam and extra-thick walls maximize insulation, keeping 20 lbs ice cold for up to five days. Whether you're tailgating, camping, or lounging on the beach, the Wellguard Cooler will keep the cold in and the heat out.

2. **100% Leak Free:** With the Wellguard Camping Cooler, unwelcome leaks are a thing of the past. Specially designed rubber gaskets wrap around the cooler for a tight, anti-sweat seal. Need to empty out some melted ice? Just take off the drain plug.

3. **Military-grade Construction:** Don't settle for less than the best - this ice chest is built to last. Thanks to its roto-molded polyethylene frame, this travel cooler is as rugged as can be. It's break-proof, scratch-proof, crack resistant, bear resistant and the perfect companion for all of your outdoor adventures.

4. **Tough and true engineering-** our coolers are robustly engineered with a BEEFED-UP Handle to ensure the perfect grip and hand protection.



WGTB3526



WGTB4834



WGTB5536

#### Specification

Name	Capacity(L)	N.W (kg)	Ext.Dimension(L*W*H/cm)	Int.Dimension(L*W*H/cm)	Material	Model
8L Cool Box	8	4	35x27x21	24x17x14	LLDPE/PU	WGTB3526
15L Cool Box	15	5	48x34x37	28x18x25	LLDPE/PU	WGTB4834
20L Cool Box	20	7.5	53x36x40	37x23x27	LLDPE/PU	WGTB5536

+400-600-8152 [www.wellguarding.com.cn](http://www.wellguarding.com.cn)



## WG TB3526/WG TB4834/WG TB5536

1. Crisp, Cool Drinks For Days: Keep your cans cooler, longer. Premium high-density PU foam and extra-thick walls maximize insulation, keeping 20 lbs ice cold for up to five days. Whether you're tailgating, camping, or lounging on the beach, the Wellguard Cooler will keep the cold in and the heat out.

2. 100% Leak Free: With the Wellguard Camping Cooler, unwelcome leaks are a thing of the past. Specially designed rubber gaskets wrap around the cooler for a tight, anti-sweat seal. Need to empty out some melted ice? Just take off the drain plug.

3. Military-grade Construction: Don't settle for less than the best - this ice chest is built to last. Thanks to its roto-molded polyethylene frame, this travel cooler is as rugged as can be. It's break-proof, scratch-proof, crack resistant, bear resistant and the perfect companion for all of your outdoor adventures.

4. Tough and true engineering- our coolers are robustly engineered with a BEEFED-UP Handle to ensure the perfect grip and hand protection.



WG TB3526



WG TB4834

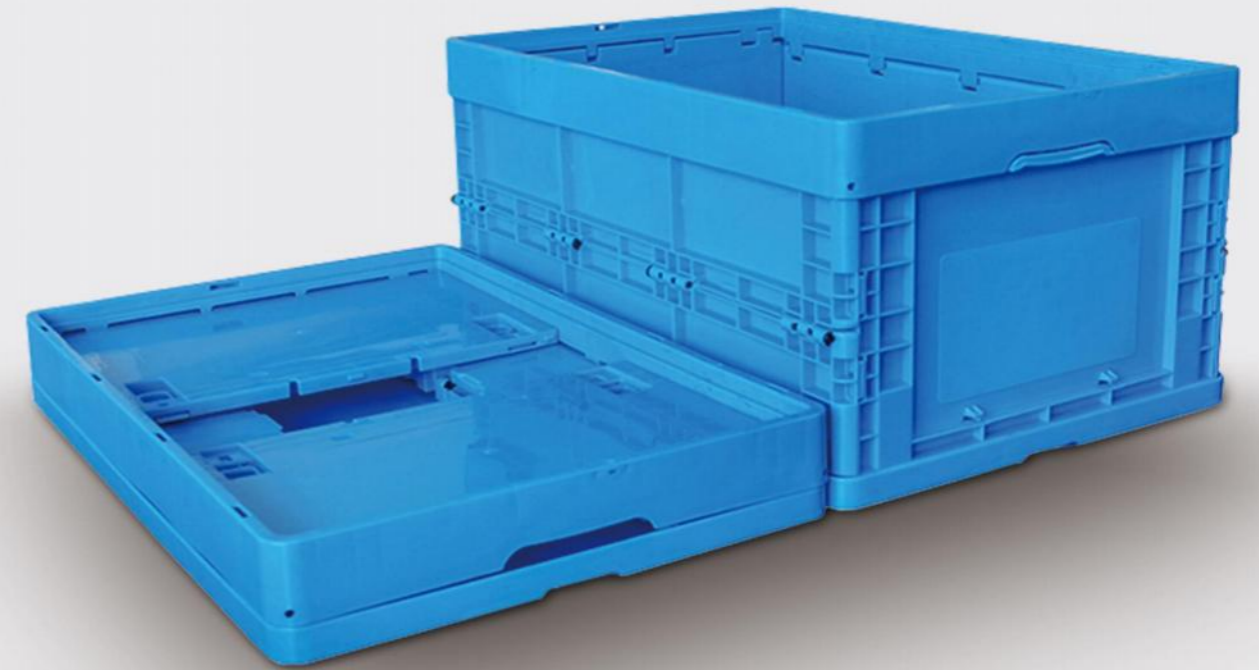


WG TB5536

Specification						
Name	Capacity(L)	N.W (kg)	Ext.Dimension(L*W*H/cm)	Int.Dimension(L*W*H/cm)	Material	Model
8L Cool Box	8	4	35x27x21	24x17x14	LLDPE/PU	WG TB3526
15L Cool Box	15	5	48x34x37	28x18x25	LLDPE/PU	WG TB4834
20L Cool Box	20	7.5	53x36x40	37x23x27	LLDPE/PU	WG TB5536

# PLASTIC COLLAPSIBLE CRATE

## Less Space, Save Cost



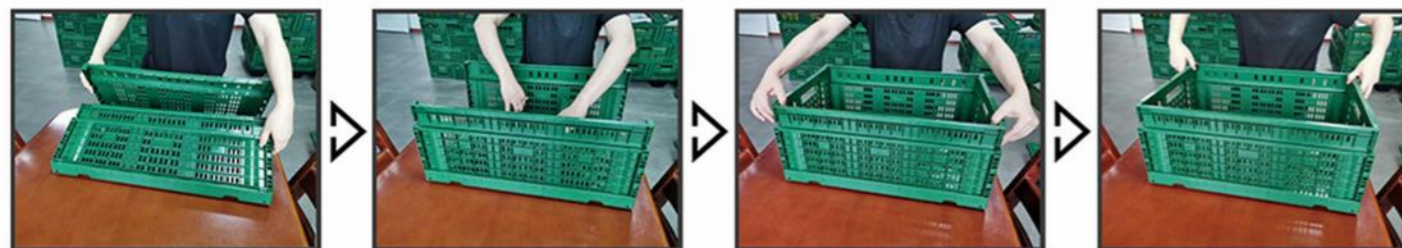
The color of folding turnover box are blue, other colors such as red, yellow, green and black can also be customized. Adapt to the ambient temperature: -25°C to +60°C. It has the advantages of light weight, less space, and convenient assembly. At present, the box has been widely used in closed-loop distribution systems such as 24-hour convenience stores, large distribution centers, department stores, light industry, clothing, home appliances, and food processing, etc. The size error of the folding turnover box is  $\pm 3\%$ , the weight error side wall deformation rate is  $\leq 1\%$ , the bottom plane deformation of the box is  $\leq 5\text{mm}$ , and the diagonal change rate of the box body is  $\leq 1\%$ , which are all within the range allowed by the enterprise standard.



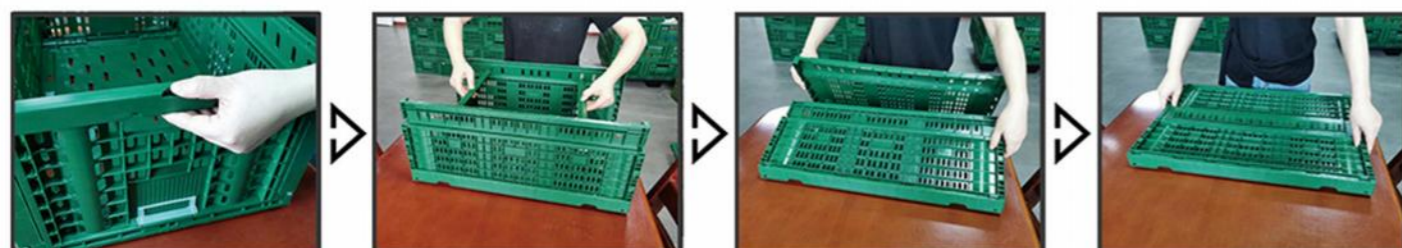


**RECOMMEND**

From Opening to Folding



From Folding to Opening



PLASTIC COLLAPSIBLE CRATE PARAMETERS

Product Name	Ext. Size(mm)	Folding Size(mm)	Load Bearing(kg)	Weight(kg)	Model
EU Folded Basket	600x400x280	600x400x85	20	2.5	EU604028W
Mesh Folded Basket	600x400x240	600x400x70	15	1.88	KK604024W-1
Mesh Folded Basket	600x400x280	600x400x72	15	2.05	KK604028W-1
Mesh Folded Basket	600x400x330	600x400x85	15	2.23	KK604033W-1
Mesh Folded Basket	800x580x500	800x580x115	35	6.22	KK805850W
Mesh Folded Basket	480x350x255	480x350x58	10	1.24	KK4835255W
Mesh Folded Crate	400x300x310	400x300x70	10	1.28	XS403031
Mesh Folded Crate	600x400x300	600x40x70	25	2.9	XS604030W
Mesh Folded Crate	600x400x320	600x400x95	20	3.46	XS604032C
Mesh Folded Crate	650x440x360	650x440x95	20	3.96	XS654436C
Mesh Folded Crate	760x580x497	760x580x114	35	6.65	XS765850W
Mesh Folded Crate	530x360x295	530x360x65	10	1.55	XS5336295W
Mesh Folded Crate	600x400x185	600x400x85	10	2.1	XS6040185W-1
Mesh Folded Crate	600x400x345	600x400x85	25	2.81	XS6040345W-8
Vegetable Crate	400x300x220	400x300x67	15	1.29	KB403022W
Vegetable Crate	535x360x312	535x360x65	20	2.25	KB533631W
Vegetable Crate	600x400x300	600x400x60	25	2.5	KB604030W
Vegetable Crate	600x400x340	600x400x60	30	3	KB604034W
Vegetable Crate	600x50x340	600x500x65	25	3.19	KB605034W
Vegetable Crate	1000x400x340	1000x400x75	150	5.12	KB1004034C
Vegetable Crate	600x400x220	600x400x48	15	1.59	KN604022W-Q
Vegetable Crate	600x400x170	600x400x38	15	1.66	TY604015W
Vegetable Crate	600x400x260	600x400x38	15	2.17	TY604025W



**Waste liquid collecting barrel series**



## Stacking Barrel Series

5L, 10L, 20L, 25L, 30L



WA005 WA010 WA020 WA025 WA030

### Stacking Barrel Parameter

Product Name	L*W*H(mm)	Material	Weight(g)	Diameter(mm)	Color	Model
5L Stacking Barrel	180*160*255	HDPE	272	42.5	Blue, White	WA005
10L Stacking Barrel	232*200*319	HDPE	272	42.5	Blue, White	WA010
20L Stacking Barrel	290*220*415	HDPE	900	48	Blue, White	WA020
25L Stacking Barrel	290*270*420	HDPE	1000	48	Blue, White	WA025
30L Stacking Barrel	320*290*430	HDPE	1500	48	Blue, White	WA030

## Iron Hoop Plastic Drum with Ring Lock Series

30L, 50L, 60L, 100L, 120L, 160L, 200L



WC050 WC060 WC100 WC120

### Iron Hoop Plastic Drum Parameter

Product Name	L*W*H(mm)	Material	Weight(g)	Diameter(mm)	Color	Model
30L Iron Hoop Plastic Drum Parameter	318*318*508	HDPE	2120	258	Blue	WC030
50L Iron Hoop Plastic Drum Parameter	400*400*620	HDPE	3300	320	Blue	WC050
60L Iron Hoop Plastic Drum Parameter	400*400*640	HDPE	3500	320	Blue, White	WC060
100L Iron Hoop Plastic Drum Parameter	500*500*640	HDPE	4540	310	Blue	WC100
120L Iron Hoop Plastic Drum Parameter	510*510*820	HDPE	6000	400	Blue	WC120
160L Iron Hoop Plastic Drum Parameter	510*510*1000	HDPE	7000	385	Blue	WC160
200L Iron Hoop Plastic Drum Parameter	590*590*980	HDPE	10500	450	Blue, White	WC200

## Closed Head Plastic Drum Series

60L, 120L, 200L Single L-ring, 200L Double L-ring



WB060 WB120 WB200 WB200B

### Closed Head Plastic Drum Parameter

Product Name	L*W*H(mm)	Material	Weight(g)	Diameter(mm)	Color	Model
60L Closed Head Plastic Drum	390*390*660	HDPE	2600	48	White	WB060
120L Closed Head Plastic Drum	500*500*720	HDPE	7000	48	Blue, White	WB120
200L Single L-ring Closed Head Plastic Drum	580*580*920	HDPE	8500	48	Blue, White	WB200
200L Double L-ring Closed Head Plastic Drum	580*580*920	HDPE	9500	48	Blue, White	WB200B

## Open Top Plastic Drum Series

25L, 60L



WLPP002-2 WLPP004-2

### Open Top Plastic Drum Parameter

Product Name	L*W*H(mm)	Material	Weight(g)	Diameter(mm)	Color	Model
25L Open Top Plastic Drum	310*310*450	HDPE	1500	230	White	WD025
60L Open Top Plastic Drum	410*410*610	HDPE	2500	230	Blue, White	WD060



## Plastic Paint Bucket With Lids Handle Series

20L、25L



WE020

WE025

### Plastic Paint Bucket With Lids Handle Parameter

Product Name	L*W*H(mm)	Material	Weight(g)	Diameter(mm)	Color	Model
20L Plastic Paint Bucket With Lids Handle	300*300*385	HDPE	980	290	RD\YE\GN\BU\WH	WE020
25L Plastic Paint Bucket With Lids Handle	320*320*400	HDPE	1170	310	Blue, White	WE025

## Plastic Jerry Can Series

2.5L、5L



WF002

WF005

### Plastic Jerry Can Parameter

Product Name	L*W*H(mm)	Material	Weight(g)	Diameter(mm)	Color	Model
2.5L Plastic Jerry Can	155*106*238	HDPE	135	32	White	WF002
5L Plastic Jerry Can	180*132*282	HDPE	215	32	White	WF005

## Polypropylene Carboys, with Spigot Series

5L、10L、20L



WGL

WG05

### Polypropylene Carboys, with Spigot Parameter

Product Name	L*W*H(mm)	Material	Weight(g)	Diameter(mm)	Color	Model
5L Polypropylene Carboys, with Spigot	175*175*410	HDPE	400	71	White	WG05
10L Polypropylene Carboys, with Spigot	215*215*470	HDPE	600	71	White	WG10
20L Polypropylene Carboys, with Spigot	270*270*570	HDPE	1080	71	White	WG20
Spigot	100*35*88	HDPE	35	—	White	WGL



**Road Safety Products Series**  
道路安全产品系列



## Applications



## Product



## Mounting pliers (Accessory)



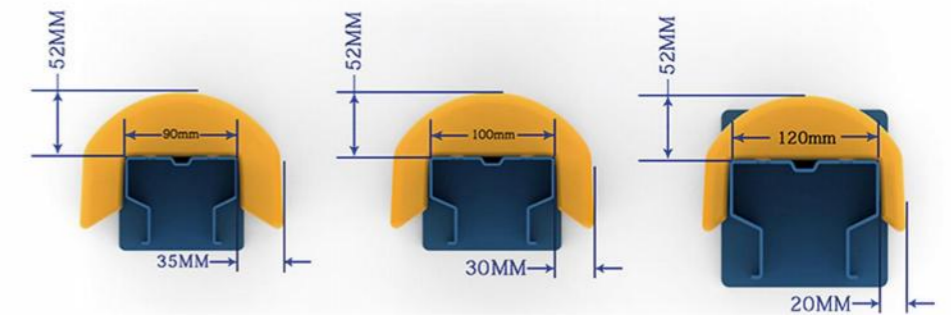
### Plastic Upright Protector Parameter

Product Name	L*W*H(mm)	Material	Weight(g)	Specification	Model
Small Yellow Plastic Upright Protector	156*140*100	PP	360	Suitable for column 80-100mm	WGH100-100Y
Small Black Plastic Upright Protector	156*140*100	PP	360	Suitable for column 80-100mm	WGH100-100BK
Large Yellow Plastic Upright Protector	160*148*100	PP	380	Suitable for column 100-120mm	WGH100-120Y
Large Black Plastic Upright Protector	160*148*100	PP	380	Suitable for column 100-120mm	WGH100-120BK

## Applications



## Product



### Rack Plastic Upright Protector Parameter

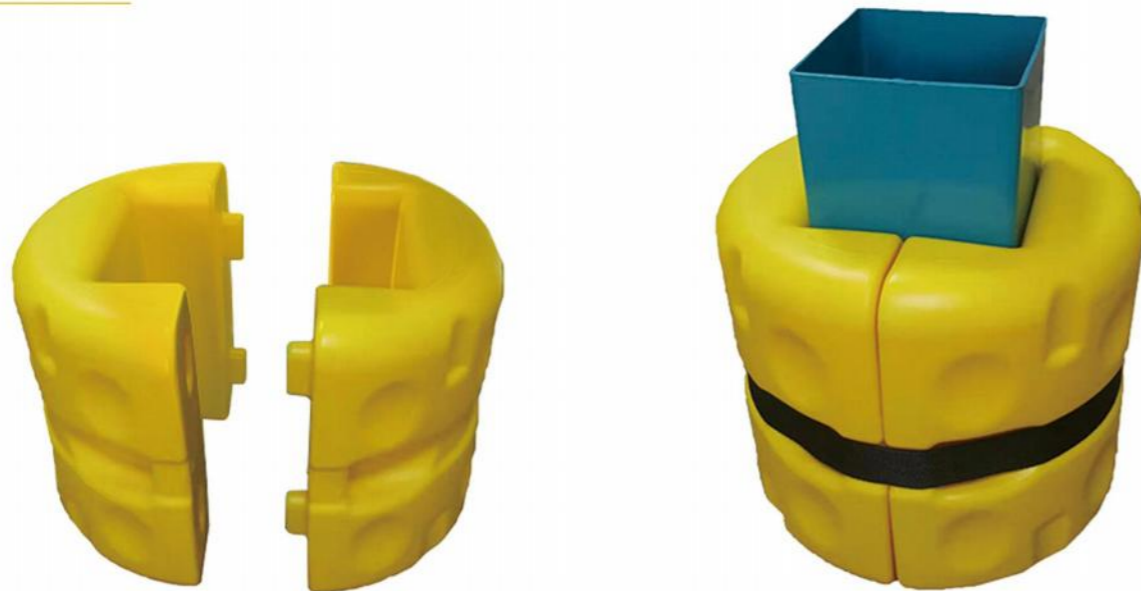
Product Name	L*W*H(mm)	Material	Weight(g)	Specification	Model
Small Upright Protector	170*110*500	HDPE	1200	Suitable for column 90mm	WGH500-90
Medium Upright Protector	170*110*500	HDPE	1200	Suitable for column 100mm	WGH500-100
Large Upright Protector	170*110*500	HDPE	1100	Suitable for column 120mm	WGH500-120



Applications

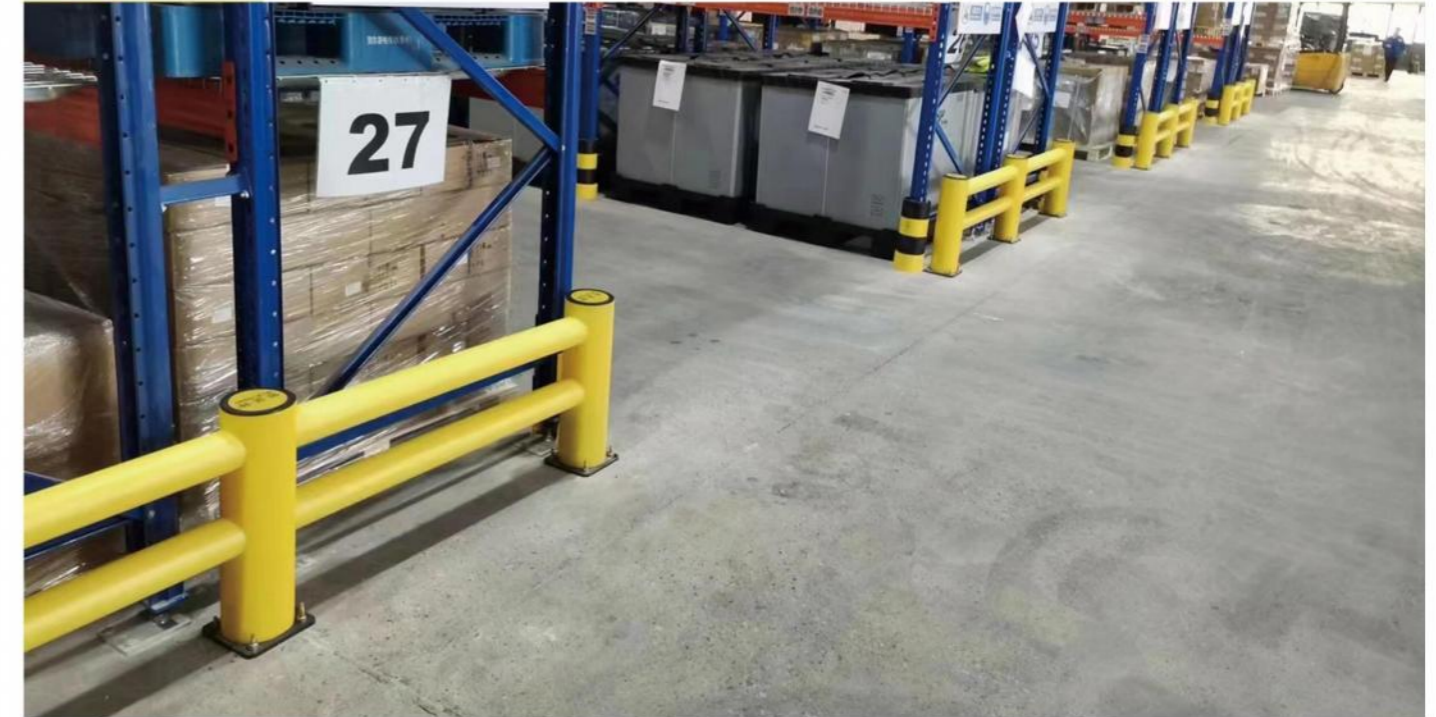


Product

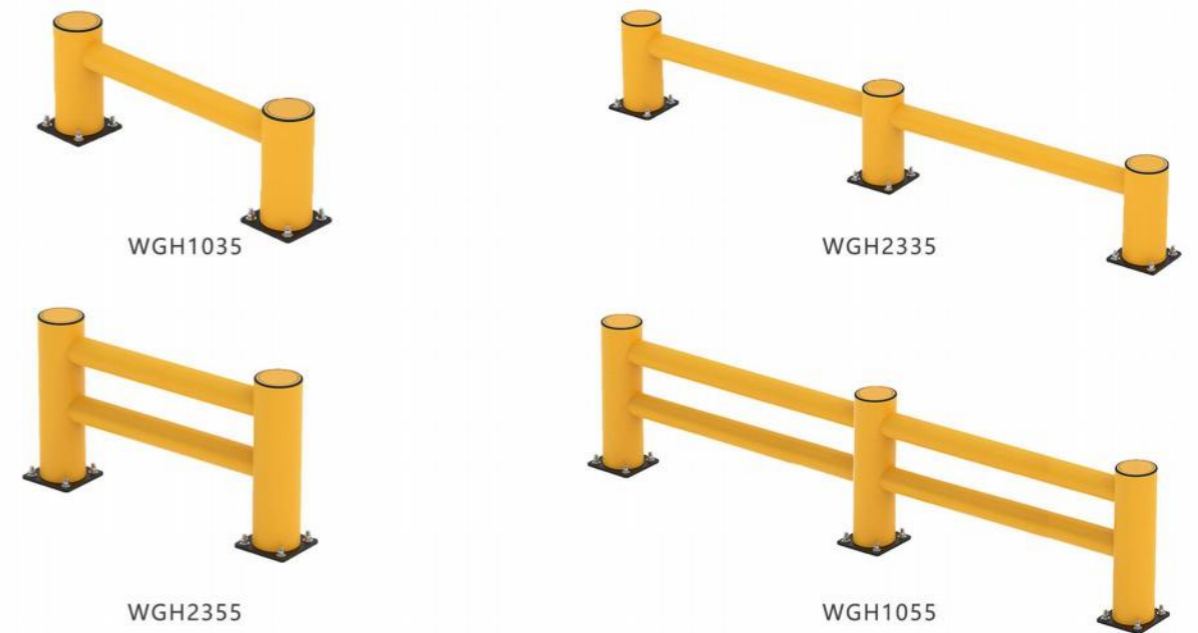


Plastic Column Protector Parameter					
Product Name	L*W*H(mm)	Material	Weight(g)	Specification	Model
Small Plastic Column Protector	330*330*300	HDPE	2.2	Suitable for column 120-150mm	WGH150
Big Plastic Column Protector	450*450*300	HDPE	2.8	Suitable for column 160-200mm	WGH200

Applications



Product



Plastic Frame Protector Parameter					
Product Name	L*W*H(mm)	Material	Weight(g)	Specification	Model
Plastic Frame Protector1035	1000*150*350	HDPE	29.35	Suitable for Rack Size L1000	WGH1035
Plastic Frame Protector2335	2300*150*350	HDPE	54.8	Suitable for Rack Size L2000	WGH2335
Plastic Frame Protector1055	1000*150*550	HDPE	32.2	Suitable for Rack Size L1000	WGH1055
Plastic Frame Protector2355	2300*150*550	HDPE	60	Suitable for Rack Size L2000	WGH2355



## Applications



## Product



WGZ50

WGN50

WGW50

WGZ50

Flood Barrier Parameter					
Product Name	L*W*H(mm)	Material	Weight(g)	Colour	Model
52.8cm L-shape Flood Board Barrier	680*705*528	ABS	4.1	Red	WGZ50
52.8cm Inward Corner Flood Barrier	680*550*528	ABS	3	Red	WGN50
52.8cm Outward Corner Flood Barrier	680*670*528	ABS	3	Red	WGW50
75cm L-shape Flood Board Barrier	850*1000*750	ABS	9.6	Red	WGZ75
90cm Adjustable Flood Barrier	1300*900*900	PVC	5.6	Red	WG90

## Icon shows

To make it easier for our customers to find the right product, we assign icons to the product to show its advantages and main features.



Forklift available



Hydraulic trucks available



Stackable



Suitable for packing



Available on shelves



Easy to handle



High strength



Trailer



Pedable



With roller



Medical



Superior quality